

MS10000

Stratus Extra Wide Extra Tall Commercial Grade 10,000
LBS Open Center Mobile Mid Rise Electric Safety Lock
Release Scissor Vehicle Lift SAE-MS10000



STRATUS
auto equipment

Sales & Showroom

512-640-9896

5881 Imperial Loop

College Station, TX 77845

sales@stratusautoequip.com

Warehouse & Manufacturing

8413 Calibration Ct

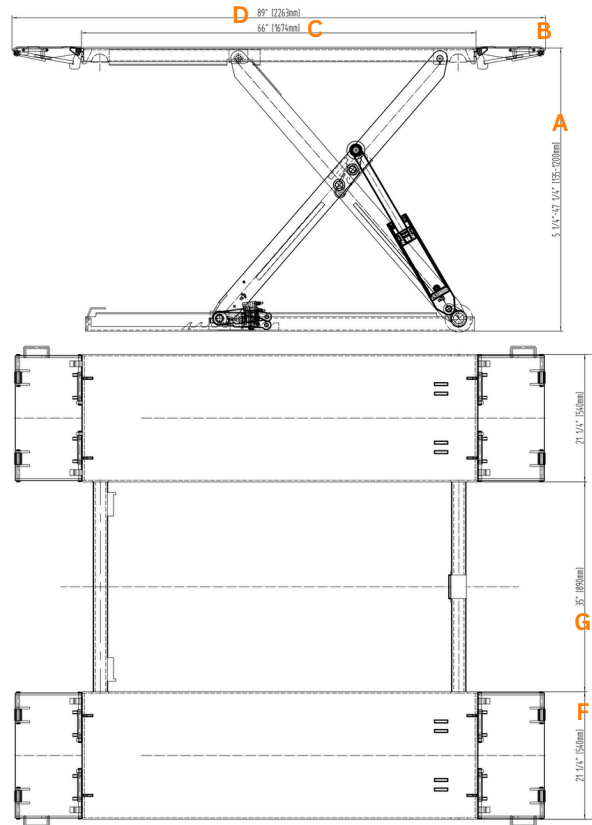
College Station, TX 77845

WWW.STRATUSAUTOEQUIP.COM

TECHNICAL

Model	MS10000
Capacity	10,000 LBS
Lifting Time	~40SEC
Max Height - A	47 1/4" (1200 MM)
Min Height - B	5 5/16" (135 MM)
Platform Length without Ramps - C	66" (1674 MM)
Platform Length with Ramps - D	89" (2263 MM)
Overall Width - E	77 1/2" (1970 MM)
Platform Width - F	21 1/4" (540 MM)
Width Between Platform - G	35" (890 MM)
Motor	3 HP, 110v / 220V, 60 HZ, 1ph
Oil	AW32 or AW46
Breaker	30A
Platform Shipping Weight	1,581 LBS
Platform Shipping Dimension	80"L * 72"L * 12"H
Control Shipping Panel Weight	133 LBS
Control Panel Shipping Dimension	37"L * 17"W * 22"H

DIMENSIONS



Warranty

5 YEAR LIFTING STRUCTURE
3 YEAR HYDRAULIC
2 YEAR ELECTRIC

FEATURES

- Commercial grade mobile design
- Open center
- Extra wide
- Electrical Safety lock fail sensor
- Programmable Logic Controller (PLC)
- Available in 110V
- 24V low voltage Motor control system
- Including 11 lock positions
- Self-lubricated bushing and bearing

Standard Accessories (Included)

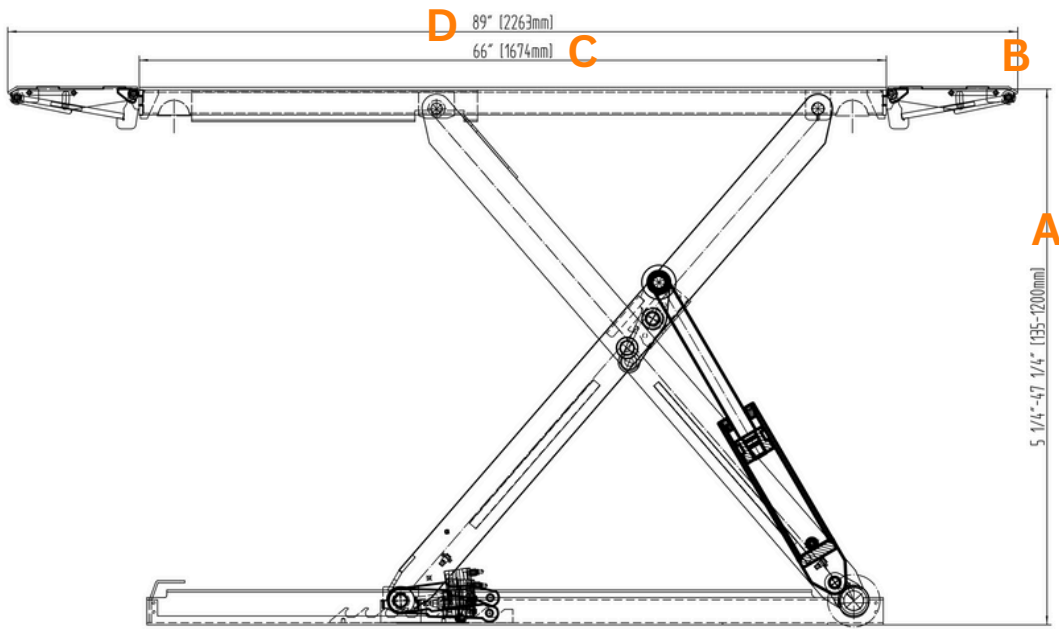
- Ramps (4 pcs)
- Rubber pads - (8 pcs) 4pcs of each 1 3/8" & 2 3/8" thickness
- Mobile kit

Optional Add-On Accessories (Sold Separately)

- Approaching ramp
- Support bar

View it on the website here:





MS10000

