

C10XE

Stratus Extra Wide Asymmetric & Symmetric 2-
in-1 Clear Floor Direct Drive 10,000 LBS
Capacity Electric Safety Lock Release Car Lift



WWW.STRATUSAUTOEQUIP.COM

STRATUS
auto equipment[®]

Sales & Showroom

512-640-9896

5881 Imperial Loop Dr.

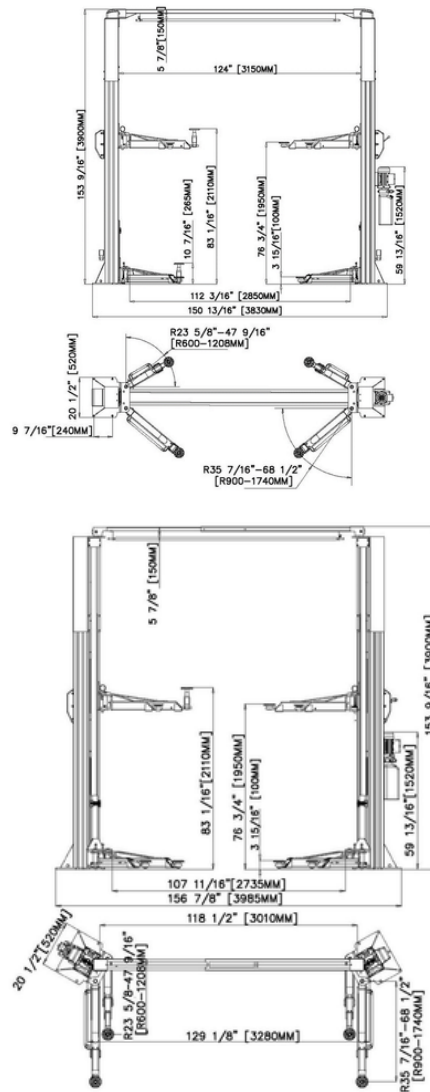
College Station, TX 77845

sales@stratusautoequip.com

TECHNICAL

- **MODEL: C10XE**
- **LIFTING CAPACITY: 10,000 LBS**
- **OVERALL HEIGHT: 153 1/2"**
- **OVERALL WIDTH: 134 5/8" WIDTH**
- **INSIDE COLUMN (SYMMETRIC): 124" / (ASYMMETRIC): 118 1/2"**
- **MAX LIFTING HEIGHT WITH TRUCK ADAPTOR: 83"**
- **MAX LIFTING HEIGHT WITHOUT TRUCK ADAPTORS: 76 3/4"**
- **MIN HEIGHT: 3 15/16"**
- **DRIVE THROUGH (SYMMETRIC): 112 1/4" / (ASYMMETRIC): 107 11/16"**
- **MOTOR POWER: 3 HP**
- **MOTOR VOLTAGE: 220 V (RECOMMEND 30A BREAKER)**
- **RATED FREQUENCY: 60 HZ**
- **PHASE: 1 PH**
- **HYDRAULIC OIL: RECOMMEND AW46/AW32**
- **COLUMN THICKNESS OF STEEL: 6MM**
- **CARRIAGE THICKNESS OF STEEL: 6MM**
- **ARMS THICKNESS OF STEEL: 6MM**
- **CABLE DIAMETER: 0.354"**

DIMENSIONS



Warranty

- **5 YEAR LIFTING STRUCTURE**
- **3 YEAR HYDRAULIC**
- **2 YEAR ELECTRIC**

FEATURES

- Extra wide drive through: 112" Heavy duty 14-folds columns Clear floor symmetric & asymmetric 2-in-1 design Electric safety lock release Direct drive
- 4 Screw-up rubber pads
- 4 of 4" (100 MM) truck adapters included
- 4 of 3-stage arms
- 2 top limiter switches
- Anti-surge valves
- Automatic arms restraints
- Proofed by dynamic test with 115% of rated capacity and static test with 150% rated capacity
- Powder coating finish: Granite Gray (RAL 7026) + Reinorange (RAL 2004)

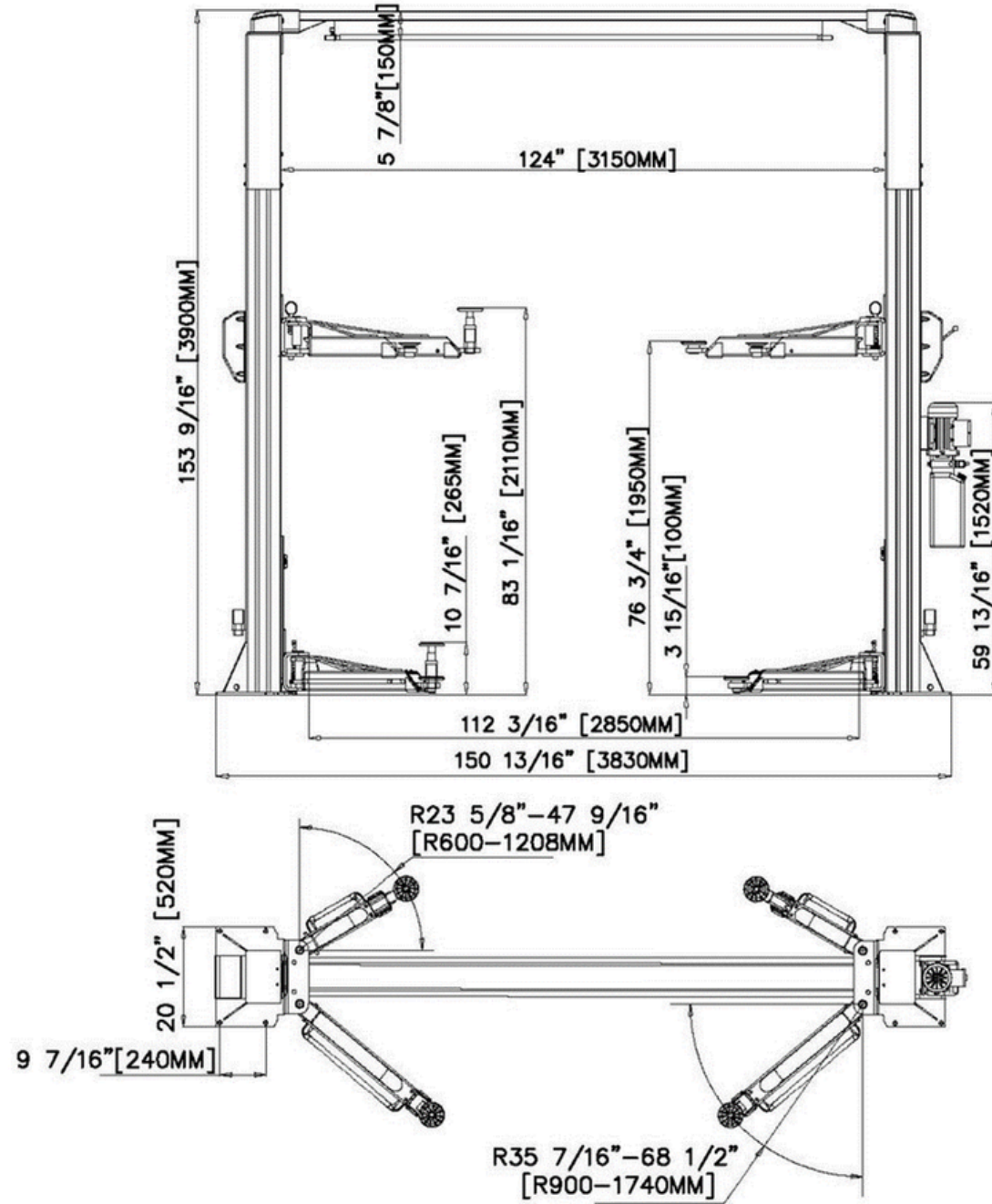
Standard Accessories (Included)

- 4 of 4" (100 MM) truck adapters included

View it on the website here:



SYMMETRICAL



ASYMMETRICAL

