

# C12X

Stratus Overhead Clear Floor Direct Drive  
12,000 LBS Capacity Single Point Manual  
Release Car Lift SAE-C12X



[WWW.STRATUSAUTOEQUIP.COM](http://WWW.STRATUSAUTOEQUIP.COM)

**STRATUS**  
auto equipment<sup>®</sup>

**Sales & Showroom**

512-640-9896

5881 Imperial Loop Dr.

College Station, TX 77845

[sales@stratusautoequip.com](mailto:sales@stratusautoequip.com)

# TECHNICAL

Model	<b>C12X</b>
Capacity	12,000 LBS
Max Lifting Height with Adaptors	78 13/16" (2001 MM)
Min Lifting Height with Adaptors	5 1/8" (130 MM)
Max Lifting without Adaptors	74 13/16" (1900 MM)
Min Lifting without Adaptors	3 15/16" (100 MM)
Rise Time	~60SEC
Overall Height	173 1/4" (4400 MM)
Overall Width	21 1/4" (540 MM)
Overall Length	155 1/8" (3940 MM)
Inside Columns	129 15/16" (3300 MM)
Drive Thru	115 11/16" (2939 MM)
Shipping Weight	2753 LBS
Shipping Size	112"x44"x32"

Front Arm Reach Max	<b>70 7/8" (1800 MM)</b>
Front Arm Reach Min	35 1/16" (890 MM)
Rear Arm Reach Max	<b>70 7/8" (1800 MM)</b>
Rear Arm Reach Min	35 1/16" (890 MM)
Motor	4 HP, 220V, 60 HZ, 1ph
Oil	AW32 or AW46
Breaker	30A
Weight	173 1/4" (4400 MM)
Dimension	21 1/4" (540 MM)
Requirements	6" – 3000 PSI

# FEATURES

- Extra wide drive through: 115 11/16"
- Overhead / Clear floor design
- Single point manual release
- Direct Drive
- 2 Top limiter switch
- Proofed by dynamic test with 115% of rated capacity and static test with 150% rated capacity
- Powder coating finish: Granite Gray (RAL 7026) + Rein orange (RAL 2004)

## Standard Accessories (Included)

- 4pcs Screw-up rubber pads - Peg 60mm (2 5/16")
- 4pcs 4" Truck Adapte - Peg 60mm (2 5/16")

## Optional Accessories (Purchase Separately)

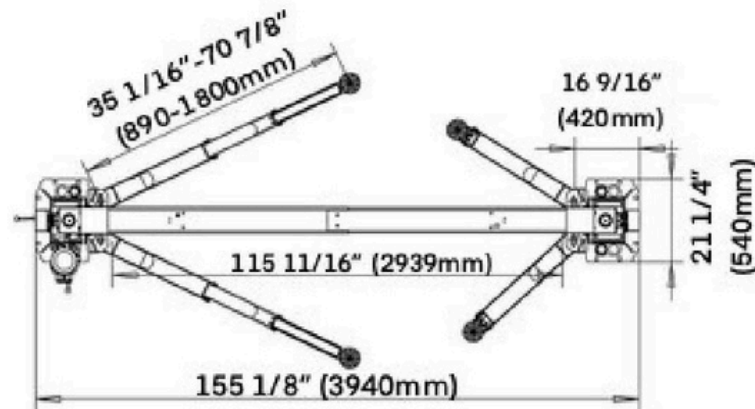
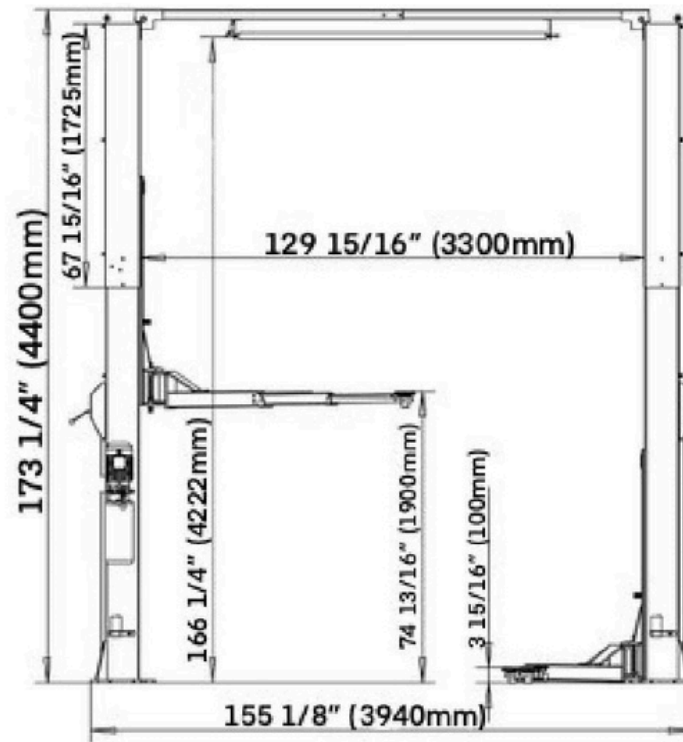
- Cradle pads(Peg 60mm)
- Tripod jack stand

**View it on the website here:**



**Warranty**  
**5 YEAR LIFTING STRUCTURE**  
**3 YEAR HYDRAULIC**  
**2 YEAR ELECTRIC**

# DIMENSIONS



## Warranty

5 YEAR LIFTING STRUCTURE

3 YEAR HYDRAULIC

2 YEAR ELECTRIC