

F10S

Stratus Floor Plate Open Top 10,000 LBS
Capacity Single Point Manual Release
Car Lift SAE-F10S



STRATUS
auto equipment

Sales & Showroom

512-640-9896

5881 Imperial Loop Dr.

College Station, TX 77845

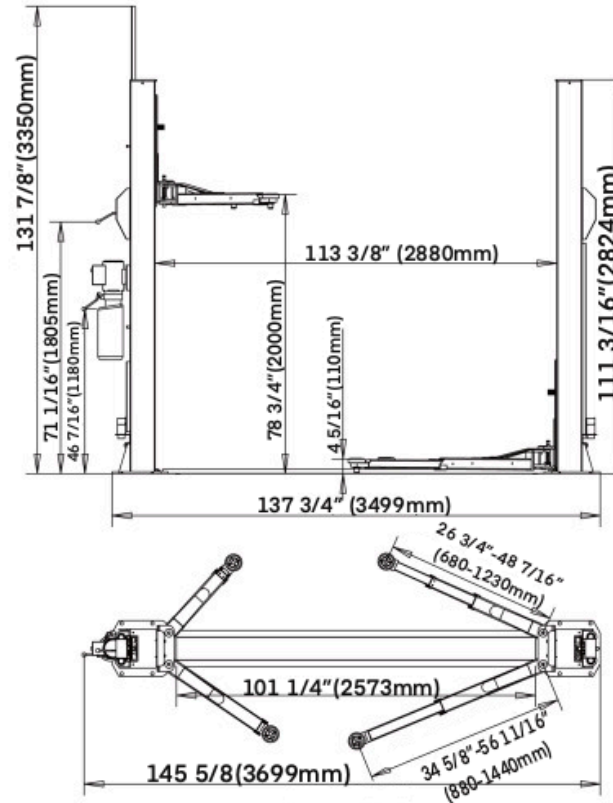
sales@stratusautoequip.com

WWW.STRATUSAUTOEQUIP.COM

TECHNICAL

Model	F10S
Capacity	10,000 LBS
Max Lifting Height with Adaptors	82 3/4" (2102 MM)
Min Lifting Height with Adaptors	8 5/16" (212 MM)
Max Lifting without Adaptors	78 3/4" (2000 MM)
Min Lifting without Adaptors	4 5/16" (110 MM)
Rise Time	~50SEC
Overall Height	131 7/8" (3350 MM)
Overall Width	19 11/16" (500 MM)
Overall Length	137 3/4" (3499 MM)
Inside Columns	113 3/8" (2880 MM)
Drive Thru	101 1/4" (2572.60 MM)
Front Arm Reach Max	56 11/16" (1440 MM)
Front Arm Reach Min	34 5/8" (880 MM)
Rear Arm Reach Max	48 7/16" (1230 MM)
Rear Arm Reach Min	26 3/4" (680 MM)

DIMENSIONS



FEATURES

- Base plate / Open top
- Single point manual release
- Top limiter switch
- CE certified
- Proofed by dynamic test with 115% of rated capacity and static test with 150% rated capacity
- Powder coating finish: Granite Gray (RAL 7026) + Reinorange (RAL 2004)

Standard Accessories (Included)

- 4pcs Screw-up rubber pads - Peg 50mm (4")
- 4pcs 2 3/4" Truck Adaptors - Peg 50mm (4")

Optional Accessories (Purchase Separately)

- Cradle pads(Peg 50mm)
- Tripod jack stand

View it on the website here:



Warranty

**5 YEAR LIFTING STRUCTURE
3 YEAR HYDRAULIC
2 YEAR ELECTRIC**