

UT9000

Stratus Commercial Grade On-Ground or In-Ground
Mount Low Profile Full Rise Scissor Car Lift SAE-
UT9000 3rd Generation G3



STRATUS
auto equipment[®]

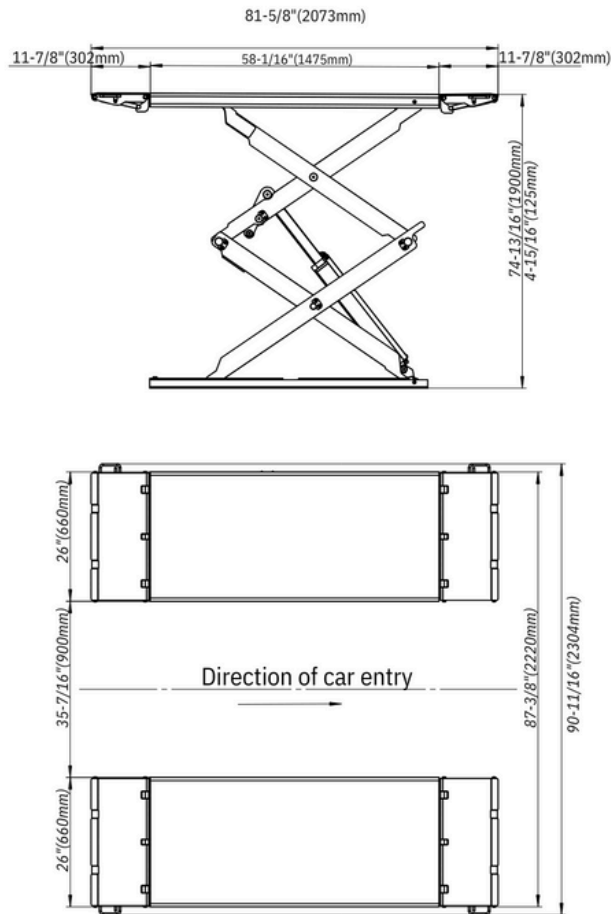
512-640-9896
5881 Imperial Loop Dr.
College Station, TX 77845
sales@stratusautoequip.com

WWW.STRATUSAUTOEQUIP.COM

TECHNICAL

Model	UT9000
Capacity	9,000 LBS
Lifting Time	Less than 60S
Max Height	74 13/16"
Min Height	4 15/16"
Overall Length	81 5/8"
Lowering Time	30-60S
Motor Power	3 HP
Motor Voltage	220 V
Rated Frequency	60 HZ
Phase	1 PH
Air Supply	73-87 PSI (5-6 BAR)
Oil	Hydraulic Oil AW 46/AW32, 4 GAL (15L)
Platform Plate Thickness	1/4" (6MM)
Scissor Arm Thickness	1 1/18" (28MM)

DIMENSIONS



Warranty

5 YEAR LIFTING STRUCTURE
3 YEAR HYDRAULIC
2 YEAR ELECTRIC

FEATURES

- Commercial grade open center full rise low profile scissor lift
- On-Ground surface mount or In-ground flush mount (2 in 1 design (see detailed foundation plan) Pneumatic safety lock release Durable cylinders with anti-surge valves
- Aluminum motor power unit
- 14 lock position
- 8 pcs rubber pads included, 4 of each 1 3/8" & 2 3/8"
- Low profile design, minimum height is only 4 5/16"
- 24V low voltage control system Platforms can be extended for long vehicles
- Self-lubricated bushing and bearing Proofed by dynamic test with 120% of rated capacity and static test with 150% rated capacity
- Powder coating finish: Granite Gray (RAL 7026) + Reinorange (RAL 2004)

View it on the website here:



DIMENSIONS

